



ATENA S.P.A. HAS A QUALITY  
MANAGEMENT SYSTEM  
CERTIFICATED BY RINA  
IN COMPLIANCE WITH ISO 9001



## Lighting Baffle

### Standard Series Base 30 | 50



#### LIGHTING

ATE\_LB30 | ATE\_LB50

#### BAFFLE ELEMENTS DIMENSION

<b>30 x 64</b>   100   150   200   300	<b>TRB</b>	<b>TS</b>
<b>50 x 100</b>   150   200   300	carrier with predefined variable distances	carrier for distances and/or bases out of measure

Baffle maximum length 4000 mm.  
Other heights on request up to 400 mm.

#### MATERIALS

Aluminum and steel  
Thickness according to the project requirements

#### BAFFLE STRUCTURE

Baffle interlocking carriers made up of black prepainted steel thickness 8/10 or with RAL/NCS post-painting on request  
Locking system

#### ANTISEISMIC EQUIPMENTS

Atena Antiseismic kit for ≤ 1,2 m plenum  
Atena Antiseismic kit for > 1,2 m high plenum  
Compulsory for buildings in 3 and 4 Class (NTC 2018 - § 7.2.3)

#### SYSTEM HANGERS

Double hanger with spring or threaded bar

#### BAFFLE COLORS

Atena white, Atena silver pre-painted steel  
Atena white, Atena silver pre-painted aluminum  
RAL / NCS coatings

#### BAFFLE FINISHING

Plain or perforated surface  
Sublimation of images and effects

#### BAFFLE PERFORATION

To choose among Atena perforation range

#### BAFFLE SYSTEM ACCESSORIES

Smooth closing caps on request, Baffle and carriers joints, alignment clips, different heights kit with Tilt Spin system hook.

#### DESCRIPTION

Properly conceived to achieve a **perfect integration** between lightings and metal ceilings the Lighting Baffle powered by Atena Lux technology are equipped with last generation fittings. Developed according to the **Human Centric Lighting Criteria**, Atena Lux fittings are programmed in temperature, colour and intensity to satisfy the human **biological cycle** in order to improve the general comfort and the performance levels, in relation to the environment features and its uses.

#### LB 30

	<b>30x64</b>
	<b>30x100</b>
	<b>30x150</b>
	<b>30x200</b>
	<b>30x300</b>

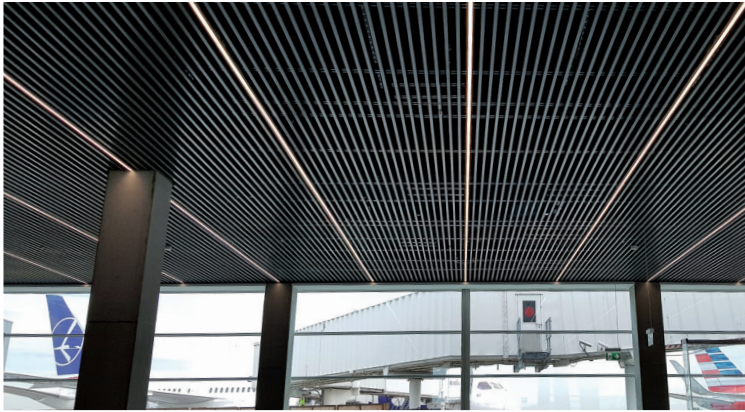
#### LB 50

	<b>50x100</b>
	<b>50x150</b>
	<b>50x200</b>
	<b>50x300</b>

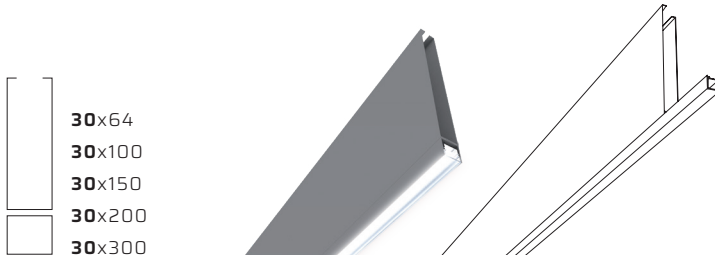
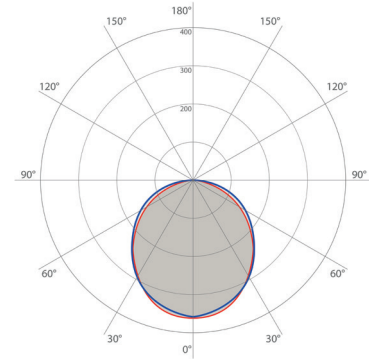
#### FASTENERS

Atena supplies the hangers and accessories such as screws, washers and nuts to connect the elements of its own supply only. Lightings, accessories and systems must not weigh on the metal ceiling system, but must be independently suspended. The fastening must be checked with regard to the loads, the anchoring base features and the installation accuracy, in order not to compromise the stability of the metal ceiling system.

LIGHTING BAFFLE LB30

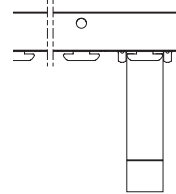


Photometric curve

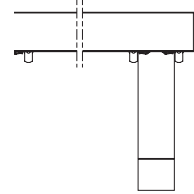


- 30x64
- 30x100
- 30x150
- 30x200
- 30x300

TRB carrier

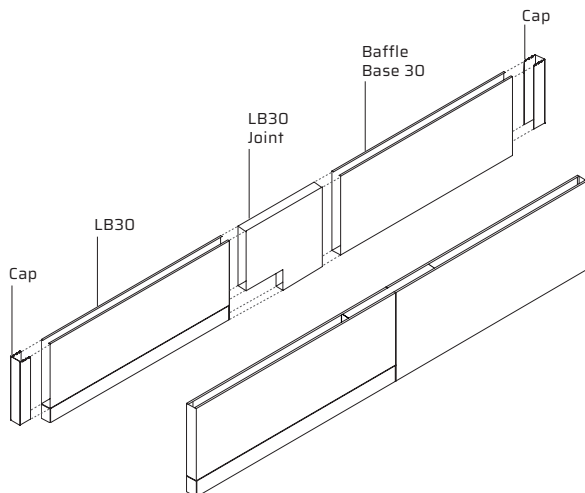


TS carrier



* Width LED module	WATT power	CCT	CRI	IP
561 mm	13	4000 K	>80	IP40
1121 mm	26	4000 K	>80	IP40
1681 mm	39	4000 K	>80	IP40
2241 mm	52	4000 K	>80	IP40
2801 mm	65	4000 K	>80	IP40

\* Modular system with direct emission that can be used both individually and in continuous rows. CCT= 3000 on request  
CRI = > 90 on request



**LB 30 DIMENSIONS**

30x64 | 100 | 150 | 200 | 300  
Other heights on request

**MATERIALS**

Aluminum | Steel

**SOURCE**

Long lasting LED  
High level of chromatic index (CRI>90)  
"RGB" and "TUNABLE WHITE"  
Balanced light emission  
Opal and microprismatic optics

**COMPONENTS**

Smart drivers  
LED closing heads kits (2 pcs)  
Joints to couple Baffles and Lighting B.  
Steel and aluminum Baffle caps  
Electric cable length 1m

**REGULATION CONFORMITY**

EN 60598-1	EN 62031
EN 60598-2-1	EN 61347-1
EN 55015	EN 61347-2-13
EN 61000-3-2	2004/108/CE
EN 61000-3-3	2014/35/UE
EN 60529	2009/125/CE
EN 62493	2011/65/UE
EN 61547	2012/874/UE
CEI 76-10	2014/30/UE
EN 62471	

All dimensions are nominal and expressed in millimeters.  
All technical specification data and information can be changed without advise.  
For further information please contact sales department:  
tel. + 39 0421 75526 export@atena-it.com

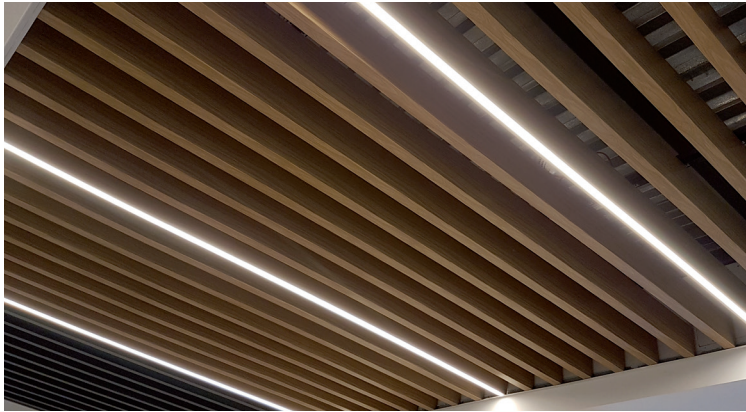
**Schedule:** source features

**CCT=** Color temperature

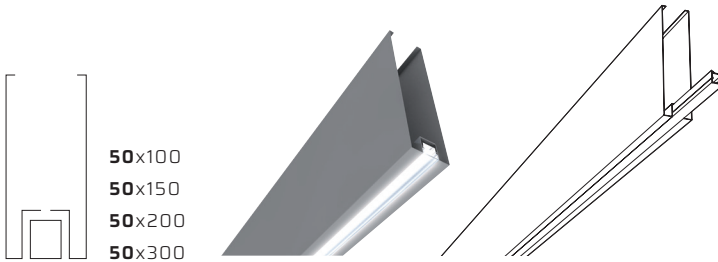
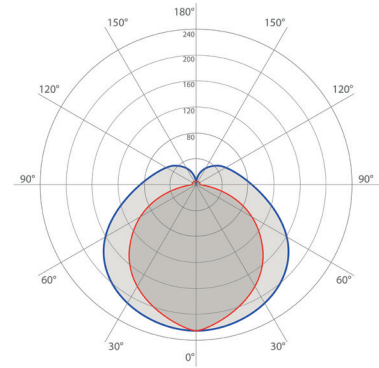
**CRI=** Chromatic index

**IP=** Protection degree

## LIGHTING BAFFLE LB50

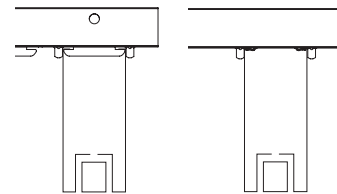


Photometric curve



TRB carrier

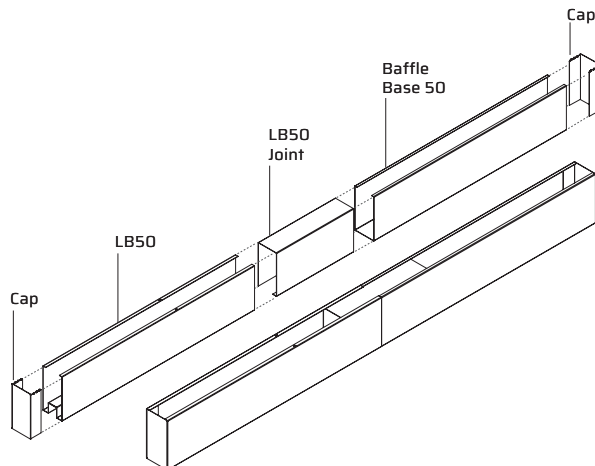
TS carrier



* Width LED module	WATT power	CCT	CRI	IP
500 mm	7,5   12,5	4000 K	>90	IP40
1000 mm	15   25	4000 K	>90	IP40
1500 mm	22,5   37,5	4000 K	>90	IP40
2000 mm	30   50	4000 K	>90	IP40

\* Modular system with direct emission that can be used both individually and in continuous rows.

CCT= 3000 on request



### LB 50 DIMENSIONS

50x100 | 150 | 200 | 300  
Other heights on request

### MATERIALS

Aluminum | Steel

### SOURCE

Long lasting LED  
High level of chromatic index (CRI>90)  
"RGB" and "TUNABLE WHITE"  
Balanced light emission  
Opal and microprismatic optics

### COMPONENTS

Smart drivers  
LED closing heads kits (2 pcs)  
Joints to couple Baffles and Lighting Baffles  
Steel and aluminum Baffle caps  
Electric cable length 1m

### REGULATION CONFORMITY

EN 60598-1  
EN 60598-2-1  
EN 60598-2-2  
EN 60529  
CEI 76-10  
EN 62471  
EN 62031  
EN 61347-2-13  
2014/35/UE  
2009/125/CE  
2011/65/UE  
2012/874/UE