

*Ceramic roof tiles
and accessories*

ROOF TILES





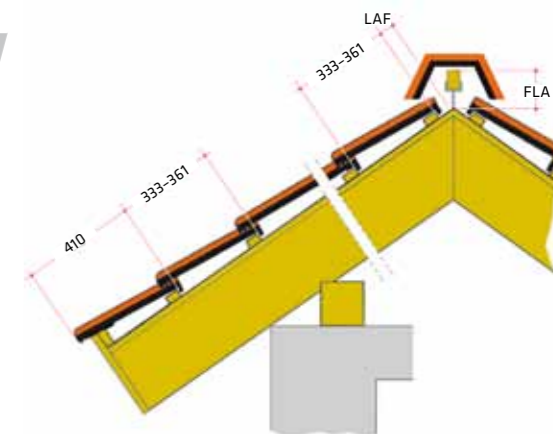
BERGAMO

CERAMIC ROOF TILES





BERGAMO	LAF/FLA (mm)							
Roof inclination angle	25°	30°	35°	40°	45°	50°	55°	60°
RIDGE TILE								
LAF	35	30	28	28	28	30	36	38
FLA	83	75	69	63	55	46	36	31



Cross-section of the roof cover.

(Proper assembly depends, inter alia, on the shape of the roof and location of the house, which is why it may be different from the solutions presented here. The best option is to consult a qualified roofer).

Available colours of roof tiles

Technical data*

Weight (1 item)	ca. 3.95 kg
Total length	ca. 43.6 cm
Total width	ca. 28.5 cm
Length of cover	ca. 33.3–36.1 cm
Average width of cover	ca. 23.7 cm
Minimum design value/m²	ca. 12 items
Quantity/m ²	ca. 11.8–12.8 items
Minimum roof inclination angle	up to 25°
Quantity/EURO pallet	240 items
Weight per sqm	ca. 48.5 kg
Weight of full pallet	ca. 975 kg
Frost resistance	yes

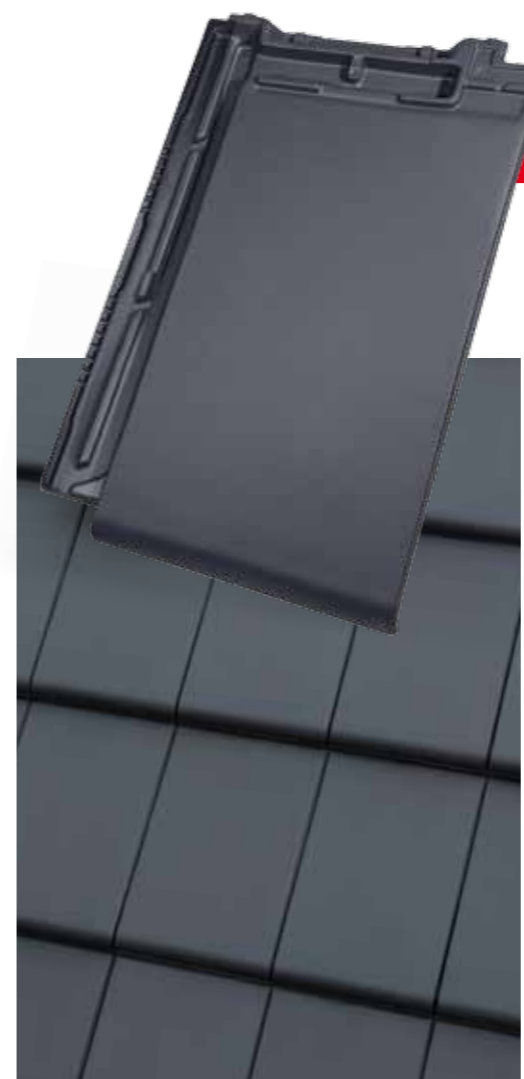
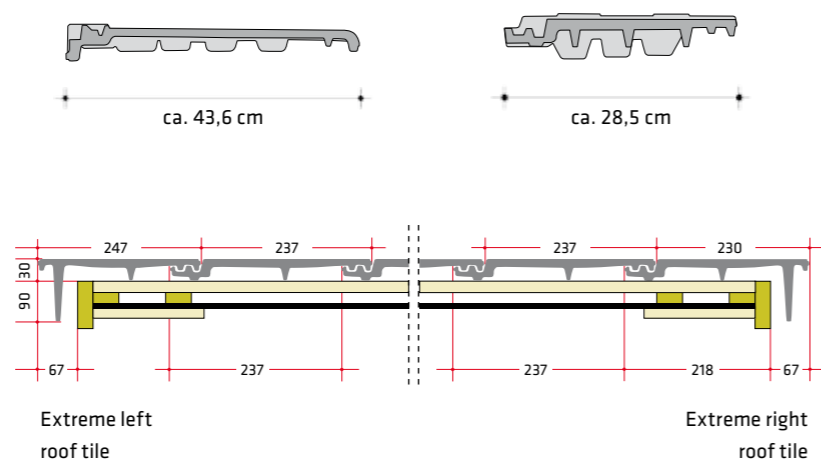
* technical parameters may be slightly changed

Properties

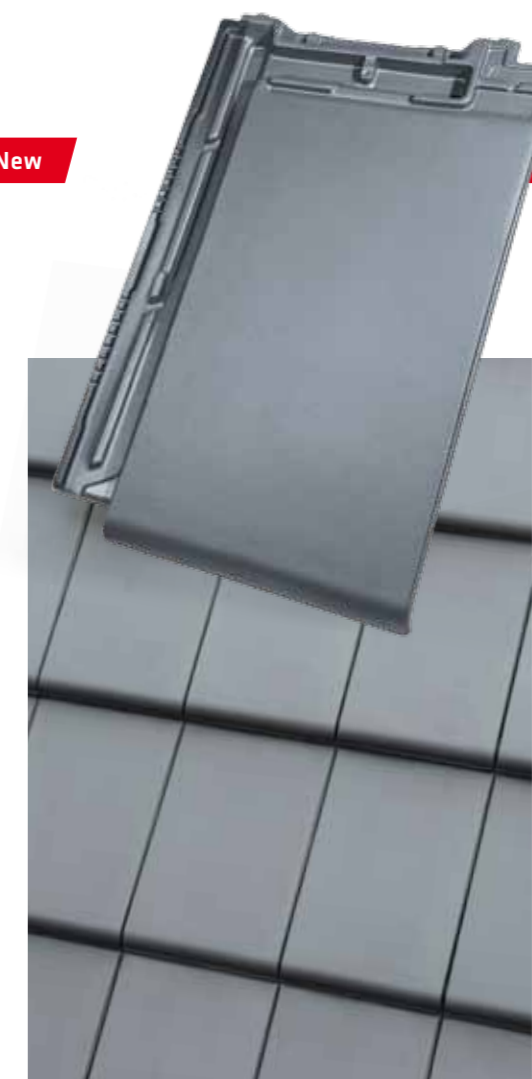
- perfectly flat roof area
- tight cover thanks to precise interlocks
- possibility of putting roof tiles in a series or with a shift



perfectly flat
roof area



Anthracite slipped



Grey matt slipped



BERGAMO / Anthracite slipped



New

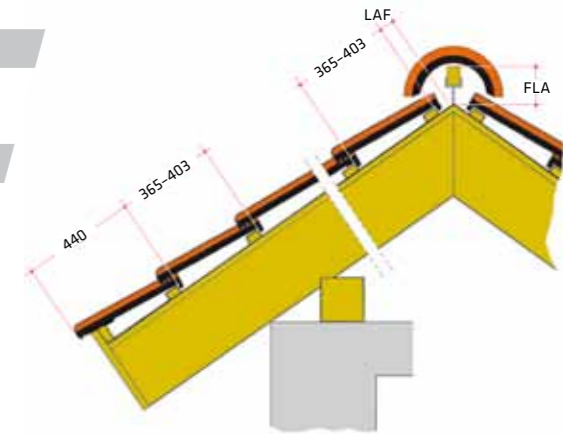
BERGAMO / Grey matt slipped



New



PIEMONTE	LAF/FLA (mm)									
Roof inclination angle	22°	25°	30°	35°	40°	45°	50°	55°	60°	
RIDGE TILE										
LAF	70	70	65	60	55	55	55	50	50	
FLA	110	105	100	90	85	75	70	60	50	



Cross-section of the roof cover.

(Proper assembly depends, inter alia, on the shape of the roof and location of the house, which is why it may be different from the solutions presented here. The best option is to consult a qualified roofer).

Available colours of roof tiles



Titan grey glazed



Red natural



Trentino slipped



Chestnut slipped



Copper slipped



Rustic slipped



Autumn leaf slipped



Brown slipped



Tobago glazed



Anthracite slipped

Technical data*

Weight (1 item)	ca. 3.97 kg
Total length	ca. 47.2 cm
Total width	ca. 29.0 cm
Length of cover	ca. 36.5–40.3 cm
Average width of cover	ca. 24,5 cm
Minimum design value/m ²	ca. 10,1 items
Quantity/m ²	ca. 10.1–11.2 items
Minimum roof inclination angle	up to 22°
Quantity/EURO pallet	240 items
Weight per sqm	ca. 40.1–44.5 kg
Weight of full pallet	ca. 983 kg
Frost resistance	yes

* technical parameters may be slightly changed

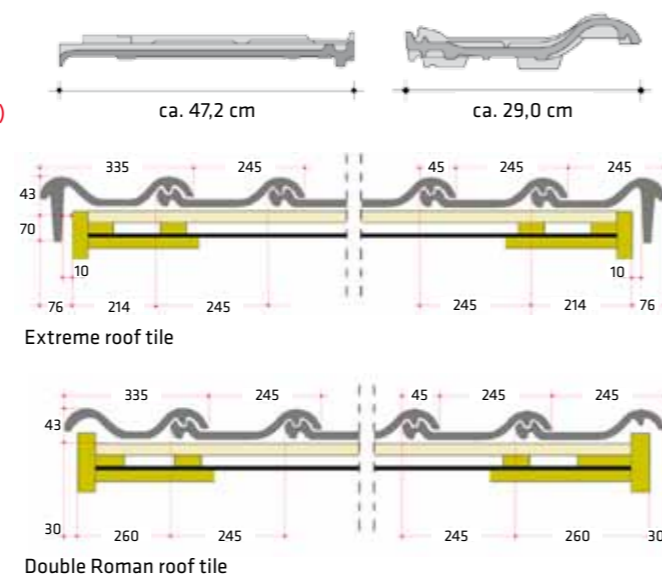
Properties

- high leaktightness
- strength
- attractive design
- lighter roof
- attractive price
- average length of cover ca. 365–403 mm



Tolerance (shift/displacement)
as much as **38 mm**

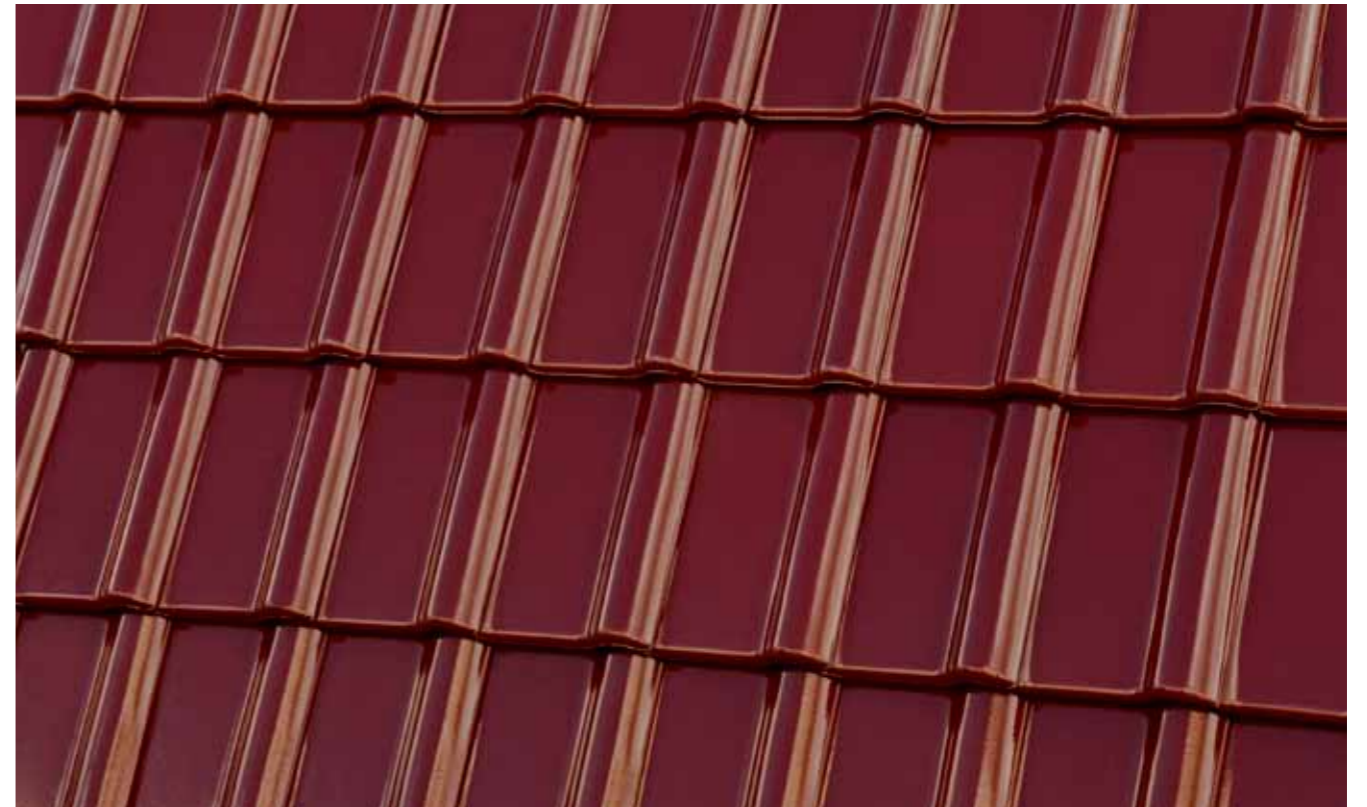
Average length of cover ca. 365–403 mm



PIEMONT / Titan grey glazed



PIEMONT / Trentino slipped



PIEMONT / Red natural



PIEMONT / Chestnut slipped





PIEMONT / Copper slipped



PIEMONT / Rustic slipped





PIEMONT / Autumn leaf slipped



PIEMONT / Brown slipped





PIEMONT / Tobago glazed

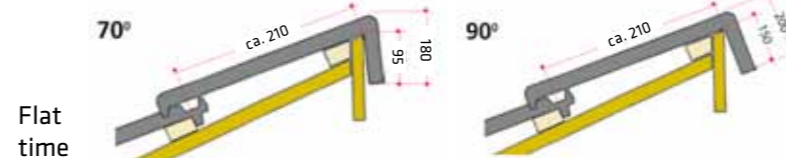
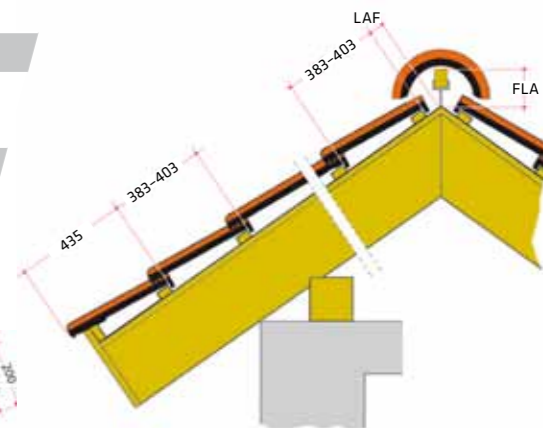


PIEMONT / Anthracite slipped





MONZAplus	LAF/FLA (mm)								
Roof inclination angle	22°	25°	30°	35°	40°	45°	50°	55°	60°
RIDGE TILE									
LAF	65	65	65	50	50	50	40	35	35
FLA	110	105	100	90	85	80	80	70	65



Cross-section of the roof cover.

(Proper assembly depends, inter alia, on the shape of the roof and location of the house, which is why it may be different from the solutions presented here. The best option is to consult a qualified roofer).

Available colours of roof tiles

Technical data*

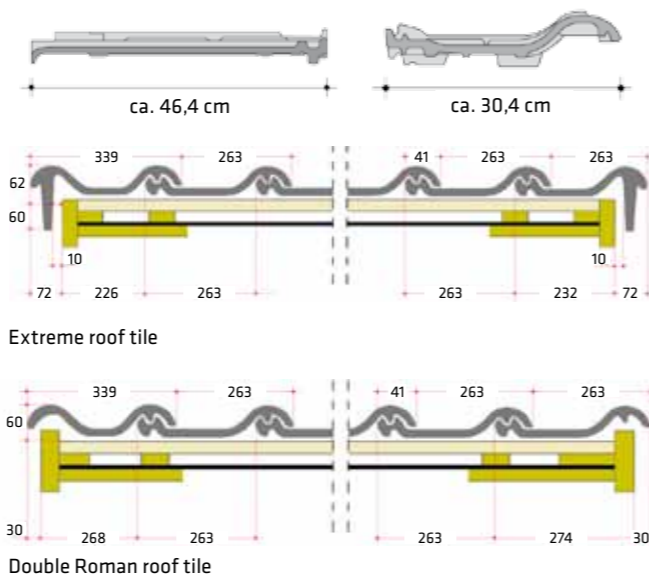
Weight (1 item)	ca. 4.07 kg
Total length	ca. 46.4 cm
Total width	ca. 30.4 cm
Length of cover	ca. 38.3–40.3 cm
Average width of cover	ca. 26.3 cm
Minimum design value/m²	ca. 9,5 items
Quantity/m ²	ca. 9.4–9.9 items
Minimum roof inclination angle	up to 22°
Quantity/EURO pallet	240 items
Weight per sqm	ca. 38.3–40.3 kg
Weight of full pallet	ca. 1007 kg
Frost resistance	yes

* technical parameters may be slightly changed

Properties

- large size
- smaller consumption per m² – only 9.4–9.9 items are enough!
- fast assembly
- lighter roof
- attractive price

Additional teeth, located at the side edge of the roof tile, guarantee more durable and stable connection of the roof tile to the patch section.



Maduro glazed



Anthracite slipped



Trentino slipped



Tobago glazed



Copper slipped



Chestnut slipped

MONZAplus / Maduro glazed



MONZAplus / Trentino slipped



MONZAplus / Anthracite slipped



MONZAplus / Tobago glazed





MONZAplus / Copper slipped

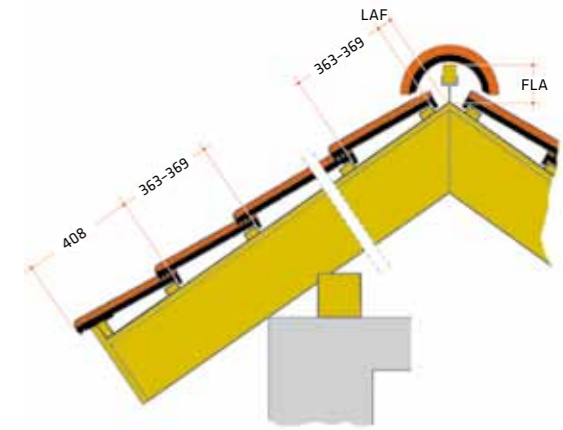


MONZAplus / Chestnut slipped





BORNHOLM	LAF/FLA (mm)						
Roof inclination angle	30°	35°	40°	45°	50°	55°	60°
RIDGE TILE							
LAF	40	40	35	35	30	30	30
FLA	110	105	100	95	90	85	80



Cross-section of the roof cover.

(Proper assembly depends, inter alia, on the shape of the roof and location of the house, which is why it may be different from the solutions presented here. The best option is to consult a qualified roofer).

Available colours of roof tiles



Tobago glazed



Chestnut slipped



Copper slipped



Red natural

Technical data*

- Weight (1 item) ca. 3.92 kg
- Total length ca. 44.4 cm
- Total width ca. 28.2 cm
- Length of cover ca. 36.3–36.9 cm
- Average width of cover ca. 22.2 cm
- Minimum design value/m² ca. 12.2 items
- Quantity/m² ca. 12.2–12.4 items
- Minimum roof inclination angle up to 22°
- Quantity/EURO pallet 240 items
- Weight per sqm ca. 47.8–48.6 kg
- Weight of full pallet ca. 971 kg
- Frost resistance yes

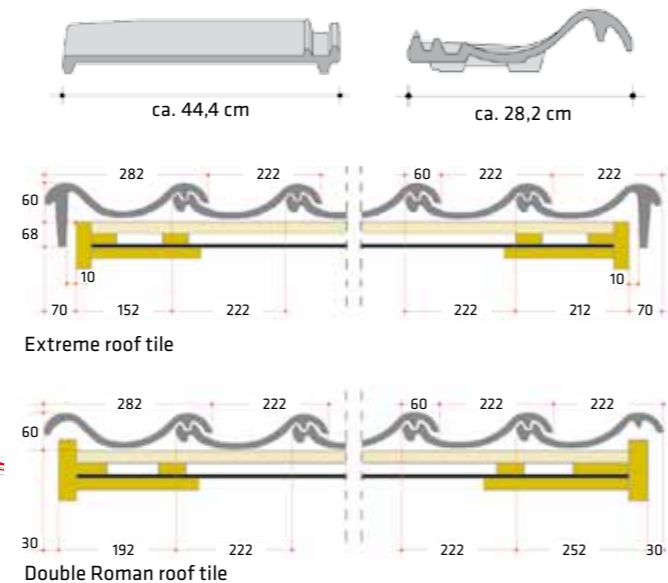
* technical parameters may be slightly changed

Properties

- deepened curved flexure
- levelled proportions
- larger roof tile area
- fast assembly



S-shape of the roof tile provides specific corrugation of the roof area. ▶



BORNHOLM / Tobago glazed



BORNHOLM / Copper slipped



BORNHOLM / Chestnut slipped



BORNHOLM / Red natural



Accessories

System of roof accessories



/1/

STANDARD ROOF TILE – MONZAplus ca. 3.95 kg



/2/

BASIC RIDGE TILE ca. 3.4 kg
a – with standard clamp
b – with lightning arrester clamp



/3/

ROOF SLAT HOLDER



/4/

TWO-WAVE ROOF TILE – Piemont ca. 5.3 kg



/5/

LEFT LIMIT ROOF TILE (sprocket) – Piemont ca. 6 kg



/6/

RIGHT LIMIT ROOF TILE (sprocket) – Piemont ca. 5.5 kg



/7/

VENTILATION ROOF TILE – Piemont ca. 4.6 kg



/8/

RIDGE TILE, ROOF CONNECTOR, TEE PIPE
a – model 1
b – model 2
ca. 3.5 kg



/9/

INITIAL SEMI-CIRCULAR LARGE RIDGE TILE ca. 3.8 kg



/10/

ANTENNA CERAMIC ROOF TILE – Piemont ca. 4.3 kg



/11/

DEAERATING FIREPLACE WITH A CONNECTING PIPE
a – head – ca. 4.2 kg
b – standard – ca. 3 kg



/12/

ROOF TILE 1/2 – Piemont ca. 2.5 kg



/13/

CHIMNEY FOOTING set 0.80 m



/14/

CHIMNEY FOOTING set 0.40 m



/15/

CHIMNEY STEP



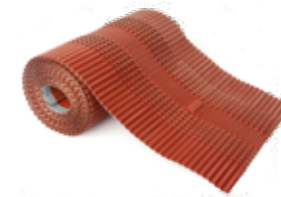
/16/

END OF THE ROOF RIDGE TILE beginning (a), end (b)
ca. 1.4/1.8 kg



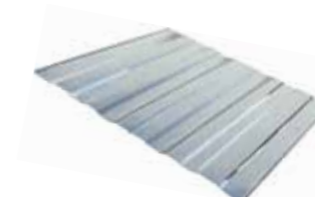
/17/

TAPE FOR CHIMNEY TREATMENT/CHIMNEY TAPE Alu3D width 300 mm



/18/

TAPE FOR THE RIDGE TILE/ROOF TAPE Alu roll width 300 mm



/19/

ROOF BASKET width 500 mm



/20/

CLAMP FOR THE ROOF TILE 4 x 6 (patch section)



/21/

FENCE AGAINST SNOW



/22/

HOOD RIDGE



/23/

SNOW TRAP



/24/

SKYLIGHT ROOF TILE MONZAplus



/25/

CHIMNEY STRIP



NEW PRODUCTS!

SOLAR ROOF TILE – MONZAplus ca. 5 kg

PANEL ROOF TILE – MONZAplus 3.3 kg angle 70°/90°

VENTILATION FIREPLACE ø150 mm WITH A CONNECTING PIPE ca. 8.9 kg

Factory



Production facilities in Środa Śląska



Röben is a part of a family-owned concern that has been manufacturing ceramic building materials for **more than 160 years**. The Frisian brickyards, established in the mid-19th century, are what today's chain of factories located in Europe and America originated from. In 1995 the factory in Środa Śląska became a part of the company cherishing such a long-established tradition. This is where the largest and the most modern roof tile factory in Europe was established.

There are many factors that contributed to Röben's success. From local deposits of clay we extract a perfect raw material for the production of bricks, clinker tiles, roof tiles and roof accessories. This natural ceramic raw material, combined with the most modern technological solutions and long experience, provides for the highest quality of the building materials manufactured in our factories. They enable further generations of investors to make the dreams of a beautiful and safe home come true. The best technical parameters, strength, an attractive design and a good price constitute a logical whole.

Röben building ceramics. Reach high!



Röben
Gold Building Brand of the Year
2015, 2014, 2010, 2009, 2008,
2006, 2005, 2004
in the category of Roof Covers

Regional representatives

1 MAŁOPOLSKIE VOIVODESHIP

Jacek Cebula
phone no. 601 92 27 17
e-mail: jcebula@roben.pl

2 POMORSKIE VOIVODESHIP

Wiesław Czajkowski
phone no. 601 54 04 20
e-mail: wczajkowski@roben.pl

3 ZACHODNIOPOMORSKIE VOIVODESHIP

Lech Książek
phone no. 605 35 10 98
e-mail: lksiazek@roben.pl

4 ŚLĄSKIE VOIVODESHIP AND OPOLSKIE VOIVODESHIP

Sebastian Bogunia
phone no. 601 54 04 38
e-mail: sbogunia@roben.pl

5 KUJAWSKO-POMORSKIE VOIVODESHIP

Maciej Mordak
phone no. 601 79 76 69
e-mail: mmordak@roben.pl

6 PODKARPACKIE VOIVODESHIP

Andrzej Berkowicz
phone no. 665 50 07 15
e-mail: aberkowicz@roben.pl

7 MAZOWIECKIE VOIVODESHIP

Roman Tereszczak
phone no. 605 35 10 99
e-mail: rtereszczak@roben.pl

8 WIELKOPOLSKIE VOIVODESHIP

Mieczysław Zabłocki
phone no. 601 54 04 36
e-mail: mzablocki@roben.pl

9 WIELKOPOLSKIE VOIVODESHIP AND LUBUSKIE VOIVODESHIP

Artur Kopiec
phone no. 607 27 89 86
e-mail: akopiec@roben.pl

10 ŚWIĘTOKRZYSKIE VOIVODESHIP, ŁÓDZKIE VOIVODESHIP AND MAZOWIECKIE VOIVODESHIP

Ewa Kopańska
phone no. 609 04 89 55
e-mail: ekopanska@roben.pl



11 PODLASKIE VOIVODESHIP

Anna Worońska
phone no. 601 54 04 22
e-mail: aworonska@roben.pl

12 OPOLSKIE VOIVODESHIP

Ryszard Homan
phone no. 605 06 70 03
e-mail: rroman@roben.pl

13 LUBELSKIE VOIVODESHIP

Adam Biedula
phone no. 661 92 31 64
e-mail: abiedula@roben.pl

14 WARMIŃSKO-MAZURSKIE VOIVODESHIP

Grzegorz Sławiński
phone no. 661 92 31 65
e-mail: gslawinski@roben.pl

15 DOLNOŚLĄSKIE VOIVODESHIP

Piotr Gałajda
phone no. 661 92 31 66
e-mail: pgalajda@roben.pl

16 ZACHODNIOPOMORSKIE VOIVODESHIP

Arkadiusz Sanocki
phone no. 691 57 53 58
e-mail: asanocki@roben.pl

17 ŁÓDZKIE VOIVODESHIP

Radosław Skoczeń
phone no. 693 23 33 43
e-mail: rskoczen@roben.pl

PN-EN 1304: January 2007 ceramic roof tiles. Definition and specification of products Annex B
In case of uncoloured roof tiles the shades of the colour may differ, which stems from specific methods of the production of ceramic products.
The product colours presented in the catalogue are for demonstrative purposes only and their shades may differ from the real colour of the products.
Röben shall bear no liability for any differences between the real colour of the product and the colour presented in the catalogue.

Watch roofing photo gallery:



Factory:

Röben Polska Sp. z o.o. i Wspólnicy Sp. k.
55-300 Środa Śląska, Rakoszycka Street 2
phone no. 71 39 78 100, fax no. 71 39 78 111
e-mail: biuro@roben.pl

www.roben.pl